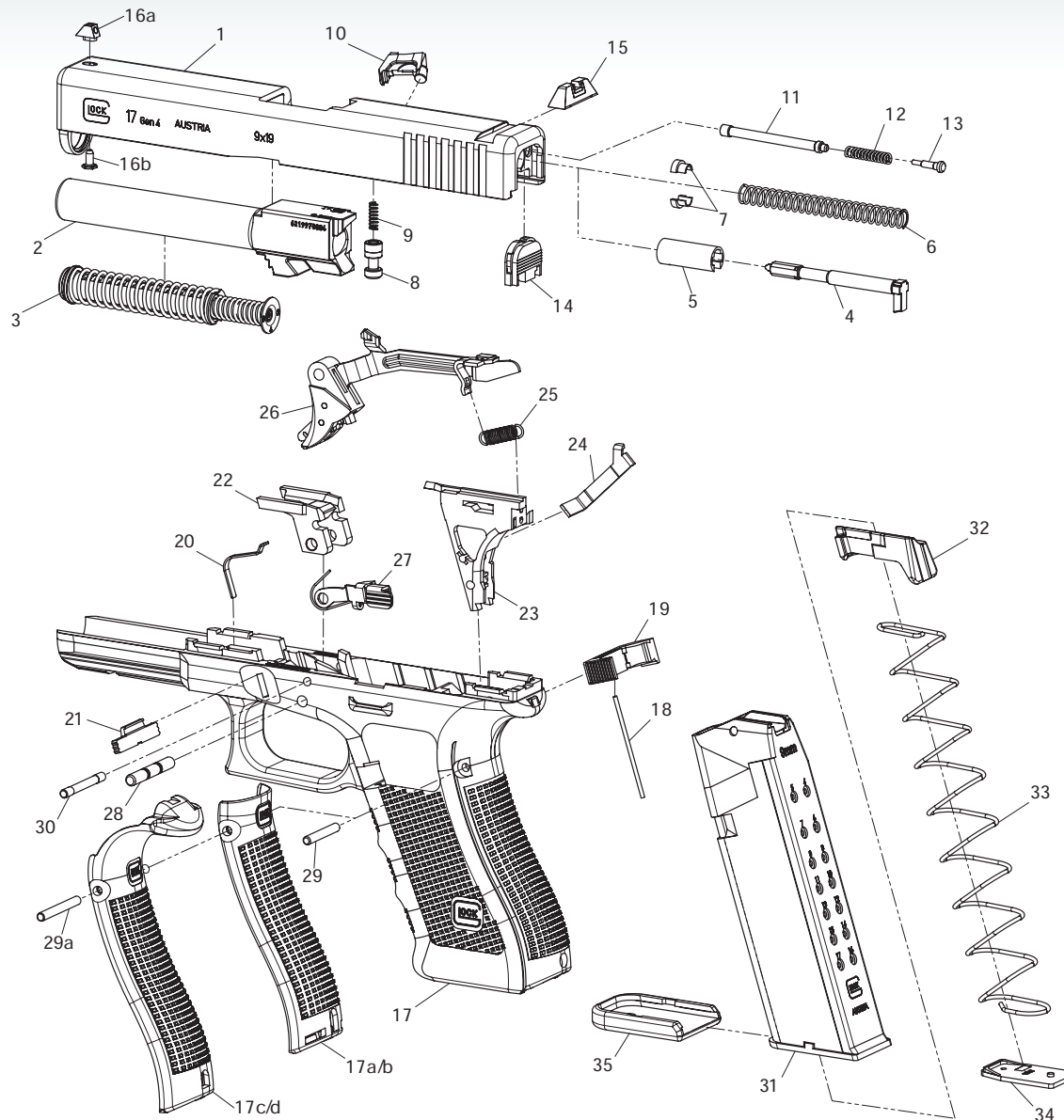


GLOCK Gen4

Pistol Components

GLOCK Safe Action® System pistols only require 35 components - clearly less than conventional pistols. This simplifies spare parts logistics, reduces susceptibility to errors, reduces maintenance cost and above all results in unsurpassed parts compatibility among various GLOCK pistol models.



COMPONENTS

- 01 Slide
- 02 Barrel
- 03 Recoil spring assembly
- 04 Firing pin
- 05 Spacer sleeve
- 06 Firing pin spring
- 07 Spring cups
- 08 Firing pin safety
- 09 Firing pin safety spring
- 10 Extractor
- 11 Extractor depressor plunger
- 12 Extractor depressor plunger spring
- 13 Spring-loaded bearing
- 14 Slide cover plate
- 15 Rear sight
- 16a Front sight
- 16b Front sight screw
- 17 Frame
- 17a/b Backstrap medium/large
- 17c/d Beaver tail Backstrap medium/large
- 18 Magazine catch spring
- 19 Magazine catch
- 20 Slide lock spring
- 21 Slide lock
- 22 Locking block
- 23 Trigger mechanism housing with ejector
- 24 Connector
- 25 Trigger spring
- 26 Trigger with trigger bar
- 27 Slide stop lever
- 28 Trigger pin
- 29 Trigger housing pin (short)
- 29a Trigger housing pin (long)
- 30 Locking block pin
- 31 Magazine tube
- 32 Follower
- 33 Magazine spring
- 34 Magazine insert
- 35 Magazine floor plate